

# KAMADO JOE BIGJOE

THE NEXT REVOLUTION IN GRILLING



Shown: BigJoe Red

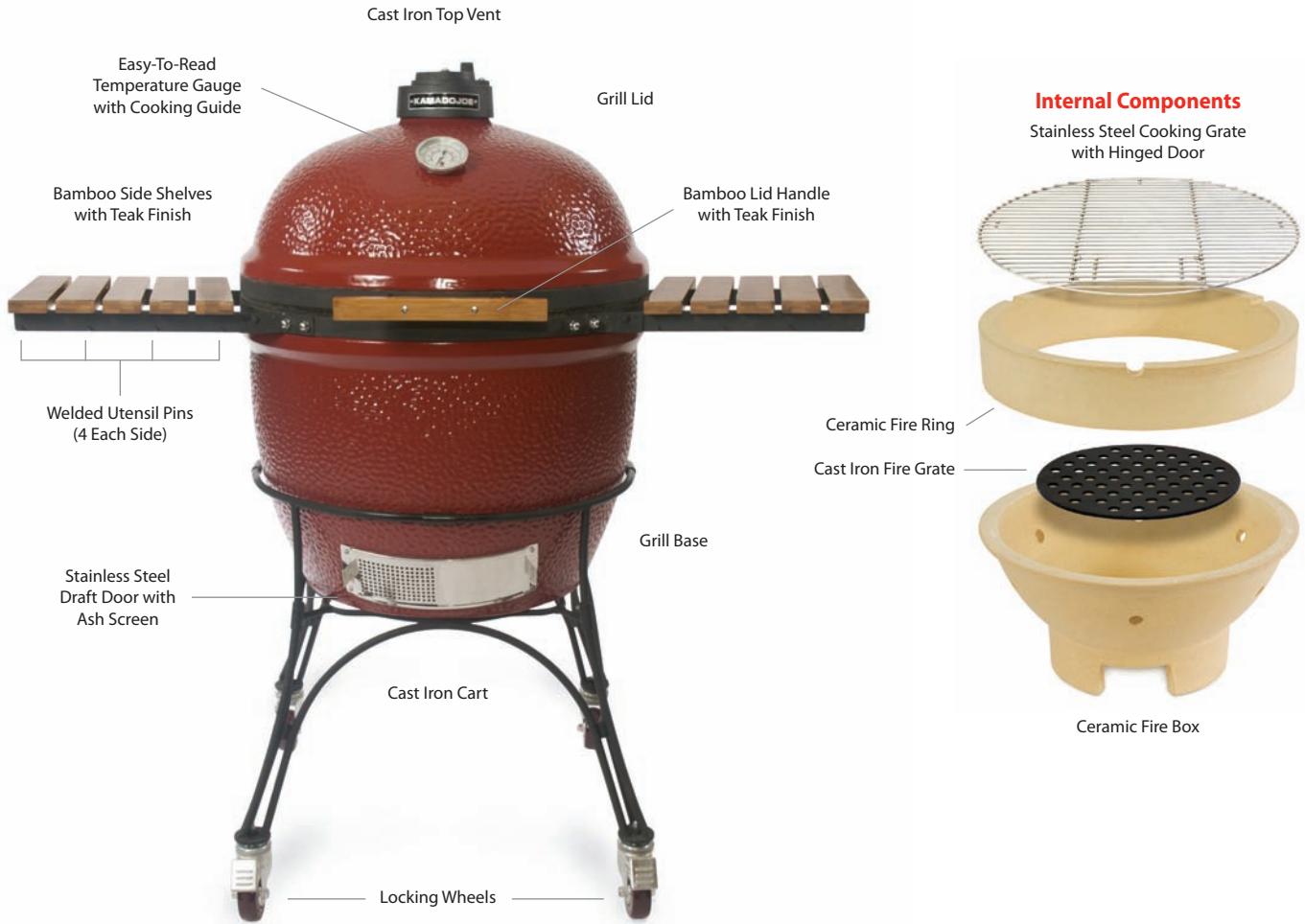


**KAMADOJOE®**  
Ignite your passion for grilling.™



BigJoe Specifications

# KAMADO JOE BIGJOE GRILL COMPONENTS & SPECIFICATIONS



**Also Available in Black**  
with Teak Finished Bamboo Side Shelves & Handle.



Extra Large Thermometer with Cooking Guide



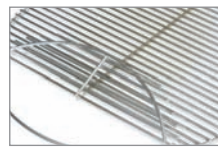
Counterbalanced Hinge System



304 Stainless Steel Ash Screen and Draft Door



Finished Solid Bamboo Side Shelves



304 Stainless Steel Cooking Grate with Hinged Door



Oversized Locking Caster Wheels

## KAMADO JOE BIGJOE SPECIFICATIONS

<b>Dimensions</b> .....	50 in Wide x 54 in High x 31 in Deep	127 cm Wide x 137 cm High x 79 cm Deep
<b>Cooking Surface</b> .....	24 in Diameter/452 sq in	61 cm Diameter/2,923 sq cm
<b>Weight</b> .....	250 lbs	113 kg
<b>Heat Range</b> .....	225°F – 750°F+	82°C – 399°C

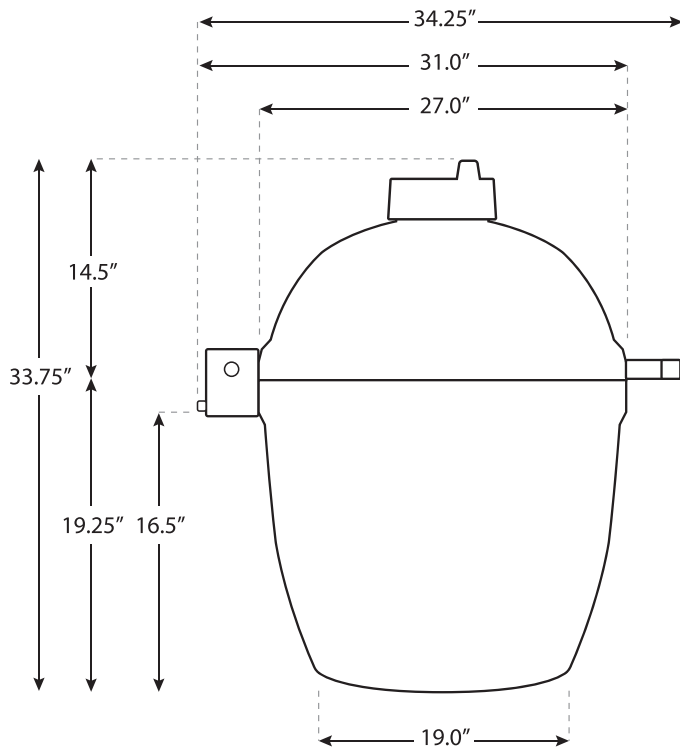
### Materials

<b>Base/Lid</b> .....	High Fire Heat-Resistant Ceramics	<b>Handle/Shelves (Red)</b> ...	Finished Bamboo
<b>Glaze</b> .....	Heat-Resistant Ceramic Coating	<b>Handle/Shelves (Blk)</b> .....	Bamboo/Teak Finish
<b>Top Vent/Fire Grate</b> .....	Powder Coated Cast Iron	<b>Hinge</b> .....	Powder-Coated Galvanized Iron
<b>Grill Grate</b> .....	304 Stainless Steel	<b>Draft Door</b> .....	304 Stainless Steel
<b>Fire Box/Ring</b> .....	High Fire Heat-Resistant Ceramics	<b>Cart</b> .....	Powder-Coated Cast Iron

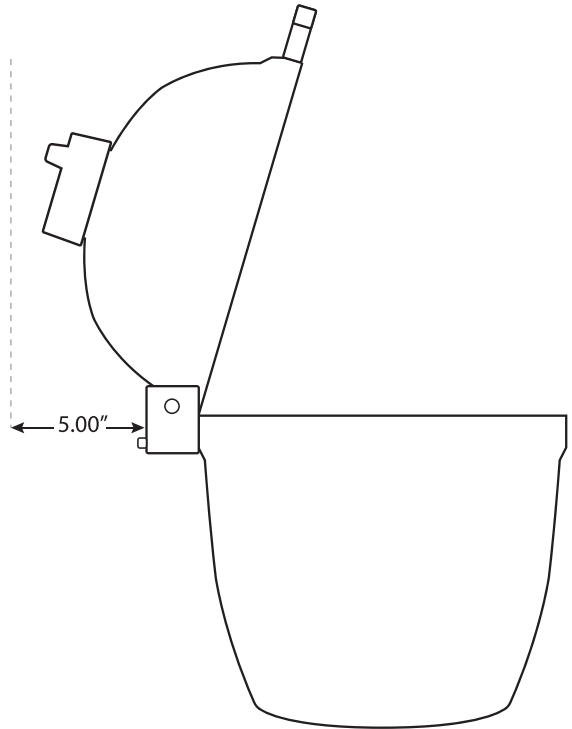
**Important Dimension Notes**

Please use this as a general guide for installing a BigJoe ceramic grill in a built-in outdoor kitchen or grill table. **We highly recommend that the actual grill being installed be measured.** Drawing is not to scale.

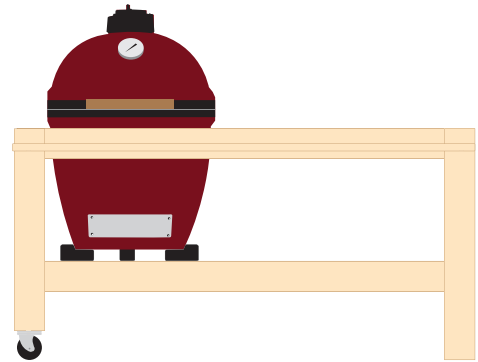
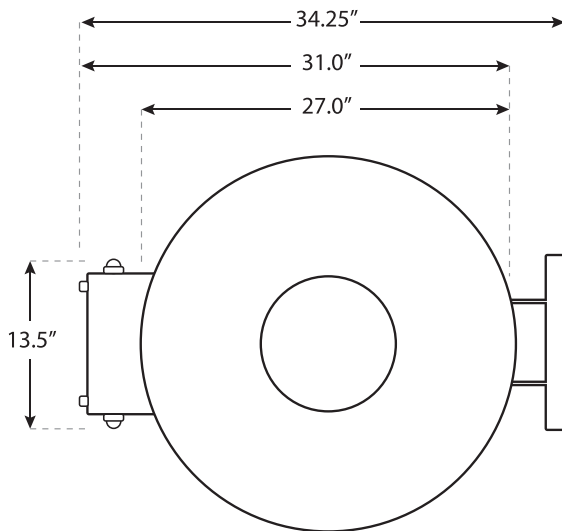
**BigJoe Side View**



**BigJoe Open Clearance**



**BigJoe Top View**



The ceramic feet add 1" to the height.  
A cut-out for the hinge may be necessary, depending on the height of the table top.

