

NC BASED & FAMILY OWNED SINCE 1930



www.gbenergy.com

Advance	336.998.9748
Boone	828.262.3657
Elks	336.835.3607
Millers Creek	336.973.2411
Mill River	828.891.7371
Pilot Mountain	336.368.3678
Sparta	336.372.4443
Statesville	704.873.4747
Waxville	828.645.1007

fireplaces . heaters . grills . swings . outdoor living



317 Stafford Avenue  
Morrisville, Vermont 05661

1-802-888-5232

E-mail: [inquiry@hearthstonestoves.com](mailto:inquiry@hearthstonestoves.com)

[www.hearthstonestoves.com](http://www.hearthstonestoves.com)



Handcrafted in  
the USA



**Mixed Sources**  
Product group from well-managed  
forests, controlled sources and  
recycled wood or fiber

Cert no. SH-COC-1795  
[www.fsc.org](http://www.fsc.org)  
© 1996 Forest Stewardship Council

# CAST IRON



# Creating Warmth... Inspiring Comfort

There is a decided difference between a house and a home. It's about creating a warm welcome that goes well beyond heating – an ambiance that reflects your personal style and beckons with its genial embrace. This concept is at the heart of every HearthStone® Stove. Designed with the beauty of a fine piece of furniture, a HearthStone Stove combines reliability with time-tested craftsmanship to become an essential part of your unique home experience.



**MANCHESTER PELLET**  
PG 5



**BENNINGTON**  
PG 6



**SHELburnE**  
PG 7



**CRAFTSBURY**  
PG 8



**CLYDESDALE**  
PG 9



**MORGAN**  
PG 10

## Cast Iron:

### For Classic Good Looks and Remarkable Resilience

With origins tracing back to the era of Benjamin Franklin, cast iron stoves have long been an American favorite. From the early parlor stoves to today's modern renditions, there is a reason cast iron remains the most fundamental of stove materials. Understated, elegant and timeless, cast iron is an ideal complement to your life, not to mention an incredible workhorse. Renowned for its superb heat conduction and remarkable resilience, cast iron brings to stoves precisely what it should: authenticity, durability, and efficiency. And thanks to Hergōm, the Spanish foundry where every HearthStone Cast Iron Stove begins, each HearthStone Stove also carries an unmatched prestige – the legacy of a market leader with a history of pioneering an industry...of creating fine lined European cast iron.

The HearthStone Hergōm Stove that arrives in your home is proof of that passion. Fabricated entirely of top-quality cast iron shaped in a modern state-of-the-art molding plant, the HearthStone Hergōm Cast Iron Collection sets the bar for quality. Exclusive design features ensure that each appliance is economical and safe, providing clean and complete combustion for warmth you can trust. Plus, whether it's classic painted iron or vitreous-enamel glazed, these stoves are as beautiful as they are functional – with optimized fire-viewing areas and distinctive character down to the last detail. Because at HearthStone, we believe in building cast iron stoves that fit your home as well as enhance your life.

Our company is committed to innovative programs and new initiatives that mitigate our impact on the environment. These environmental efforts are aimed to meet the European IPPC (Integrated Pollution Prevention and Control) standards.



**BRISTOL DX**  
PG 11



**CHAMPLAIN**  
PG 12



**STOWE DX**  
PG 13



**TUDOR**  
PG 14



**MAIDSTONE**  
PG 15



**WILLOUGHBY**  
PG 15



**KILLINGTON**  
PG 15



#### There's a HearthStone That's Perfect For You...

Carbon-neutral woodburning or ultra-efficient gas-fired. Classically styled or contemporary. For heating your entire home or just warming a single room. With so many choices – and so many finishes – the joy of HearthStone is that there's bound to be one that's perfect for you. We invite you to get acquainted with our vast collection of freestanding stoves and inserts, starting on these pages. From rustic to elegant, casual to formal, HearthStone is an ideal way to bring home a special warmth – to create the heart of your home.

HearthStone Stoves are made in Vermont by people who take great pride in their work. There's no assembly line – just a keen understanding of the need for efficiency and functionality. As well as the desire for stunning presentations that can serve as the centerpiece of a room.

## What's in a name? Everything.

The HearthStone brand is an assurance – a guarantee that your appliance is built in the rich tradition of our company, and will serve you faithfully for years to come. Your HearthStone purchase represents not only the latest in aesthetic advances, but also the utmost in powerful heating technology. It's this integrity that gives HearthStone Stoves their unmatched appeal, and has for over 30 years.

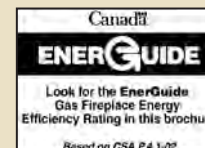


## Live Green

Did you know that a tree decomposing in the forest emits the same carbon dioxide into the air than burning that same tree in an efficiently burning HearthStone woodstove?

At HearthStone, our business is filling family homes with warmth – not just today, but for future generations as well. Whether fueled by wood or gas, our family of stoves offers viable alternative heat sources that are highly environmentally conscious. Our woodstoves utilize modern, low-emission combustion technology to create carbon-neutral burning – a factor that is a top priority for us. Similarly, our gas stoves bring the benefits of efficient zone heating, and accordingly help reduce CO<sup>2</sup> emissions.

We're working hard to preserve nature by providing heating solutions that can help lessen the greenhouse effect. And we will continue to make climate protection – both today and tomorrow – a vital and important goal. 🔥



*EnerGuide is a Government of Canada rating system that provides consumers with comparative information on the energy performance of energy-using products sold in Canada. For more information on the EnerGuide Program, please go to the EnerGuide web site at: [www.oee.nrcan.gc.ca/equipment/](http://www.oee.nrcan.gc.ca/equipment/)*

# MANCHESTER PELLET

## PELLET STOVE

FINE-LINED EUROPEAN CAST IRON WITH PROVEN TECHNOLOGY

Heating input of: 15,300 - 51,000 BTUs | EPA certified at 1.3 grams per hour

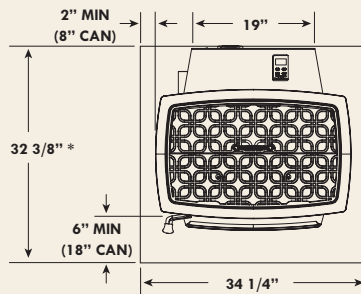
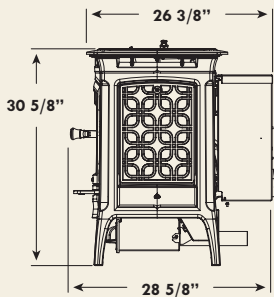
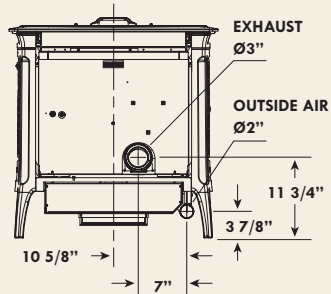
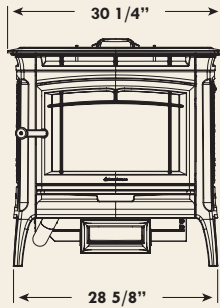
Efficiency rating up to 87% | Heats up to: 2,000 sq. ft. | Model: #8330

### FINISH OPTIONS:

Brown majolica enamel



Painted matte black



*Manchester Pellet featured with brown majolica enamel finish*



FOR ADDITIONAL SPECIFICATIONS AND OPTIONS, TURN TO PAGE 17

# BENNINGTON

## CONVECTIVE WOODSTOVE

FOR EFFICIENT, TOASTY, WHOLE HOME HEAT

Size: 70,000 BTUs | Heats up to: 2,200 sq. ft. | EPA rating: 3.6 grams per hour

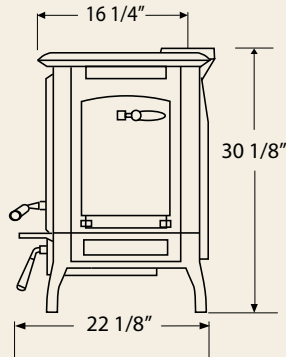
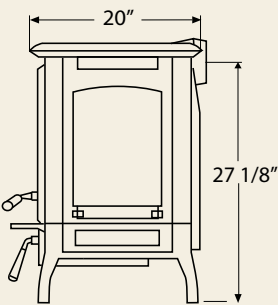
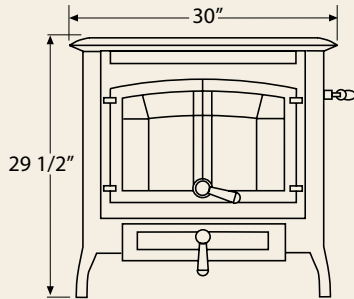
Maximum log length: 23" | Model: #8350

### CASTING FINISH:

Painted matte black

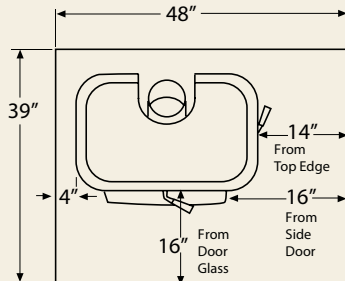


Brown majolica enamel



### U.S. Minimum Hearthpad Dimensions\*

Does not include the distance from the stove to the wall



\*For Canadian, refer to page 18



Bennington featured with brown majolica enamel finish.

WOODSTOVES

FOR ADDITIONAL SPECIFICATIONS AND OPTIONS TURN TO PAGES 16 & 18



# SHELBURNE WOODSTOVE

CLASSIC, BEAUTIFUL & ADAPTIVE – BRINGING WARMTH TO MID-SIZE HOMES

Size: 50,000 BTUs | Heats up to: 1,800 sq. ft. | EPA rating: 2.1 grams per hour

Maximum log length: 20" | Model: #8370 / 8371

## CASTING FINISH:

Painted matte black



Brown majolica enamel



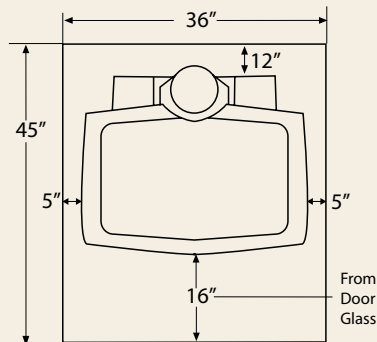
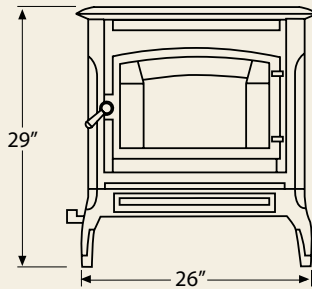
Basil majolica enamel



Blue/black satin enamel\*



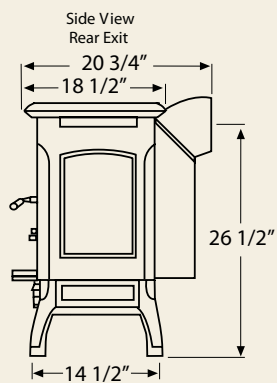
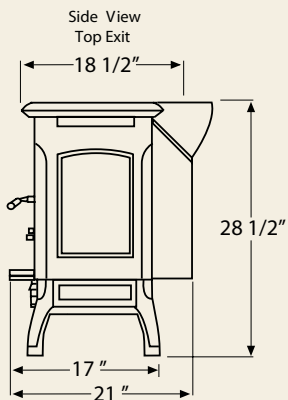
\*Available Model #8370 only



U.S. Minimum Hearthpad Dimensions\*

Does not include the distance from the stove to the wall

\*For Canadian, refer to page 18



*Shelburne featured in painted matte black.*

*Model # 8371*



*Model # 8370*

FOR ADDITIONAL SPECIFICATIONS AND  
OPTIONS TURN TO PAGES 16 & 18

# CRAFTSBURY WOODSTOVE

CLASSIC GOOD LOOKS – PERFECT LARGE ROOM CAPACITY

Size: 40,000 BTUs | Heats up to: 1,300 sq. ft. | EPA rating: 3.1 grams per hour

Maximum log length: 17" | Model: #8390

**CASTING FINISH:**

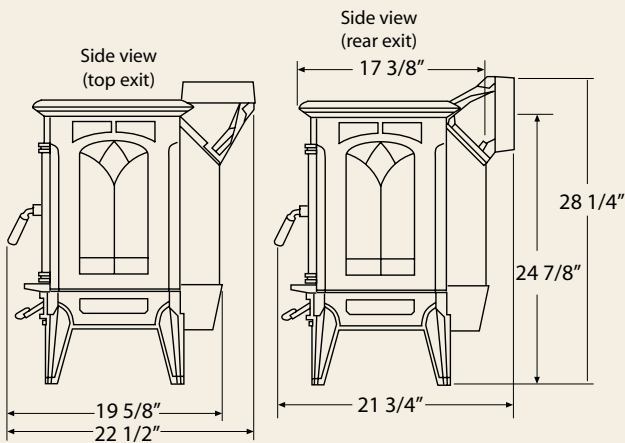
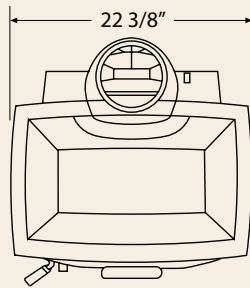
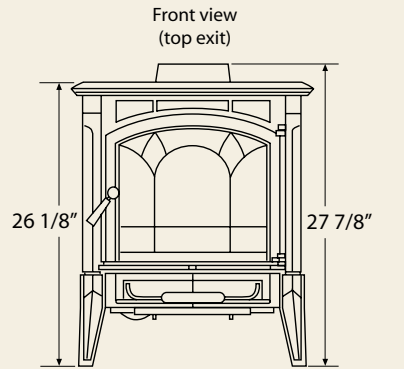
Painted matte black



Brown majolica enamel



Basil majolica enamel



*Craftsbury featured with brown majolica enamel finish.*

FOR ADDITIONAL SPECIFICATIONS AND  
OPTIONS TURN TO PAGES 16 & 18

# CLYDESDALE

## WOOD INSERT

TRANSFORMS A FIREPLACE INTO A HEAT SOURCE –  
WITH A LARGE VIEWING AREA

Size: 60,000 BTUs | Heats up to: 2,000 sq. ft. | EPA rating: 3.1 grams per hour  
Maximum log length: 22" | Model: #8491

### CASTING FINISH:

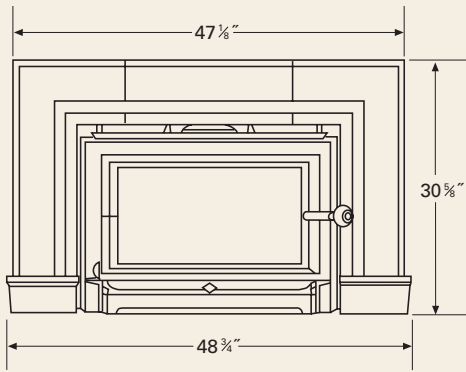
Painted matte black



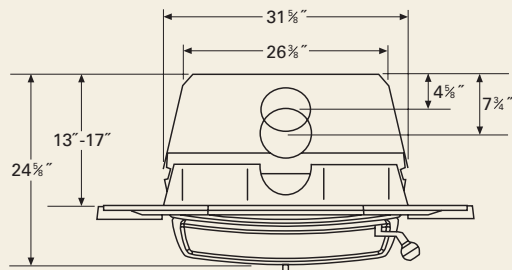
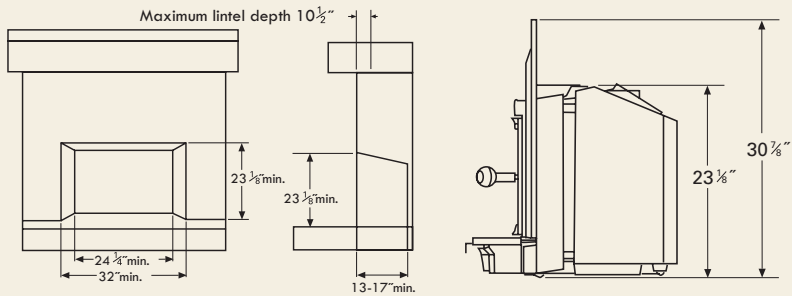
Blue/black satin enamel



Brown majolica enamel



Shown with optional Surround Base Cap accessory kit



*Clydesdale featured with  
brown majolica finish*

WOOD INSERTS

FOR ADDITIONAL SPECIFICATIONS AND  
OPTIONS TURN TO PAGES 16 & 18

# MORGAN

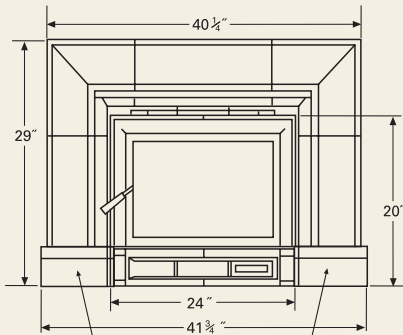
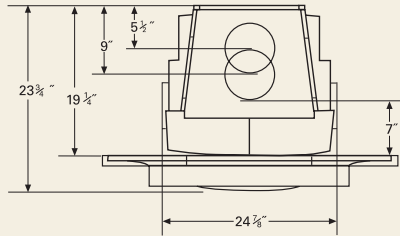
## WOOD INSERT

FUNCTIONAL MEDIUM-SPACE HEAT –  
STRAIGHT FROM A FIREPLACE

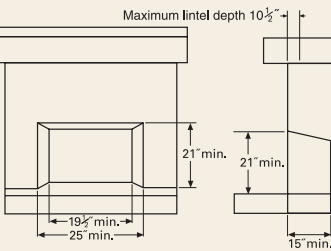
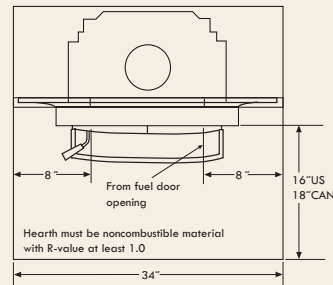
Size: 40,000 BTUs | Heats up to: 1,200 sq. ft. | EPA rating: 4.3 grams per hour  
Maximum log length: 18" | Model: #8470

### CASTING FINISH:

Painted matte black



Shown with optional Surround Base Cap accessory kit



### Clearances (inches)

Side wall	A	13"
Mantle and top trim	B	34"
Mantle with mantle shield kit	B	22"
Side trim ≤ 1/2" projection	C	3"

*Morgan featured with painted matte black finish.*



FOR ADDITIONAL SPECIFICATIONS AND OPTIONS TURN TO  
PAGES 16 & 18

# BRISTOL DX

## DIRECT-VENT GAS STOVE

EXCEEDING PERFORMANCE STANDARDS WITH PANORAMIC THREE-SIDED VIEWING – PERFECT FOR MOST SPACES.

Burn Rate Range: 16,000 - 36,000 BTUs/hr. (NG), 10,000 - 33,000 BTUs/hr. (LP) | EnerGuide Rating: 80% (NG, LP)  
 Steady State Efficiency: up to 78% (NG), 79% (LP) | Heats up to: 1,800 sq. ft. | Model: #8762DX

### CASTING FINISH:

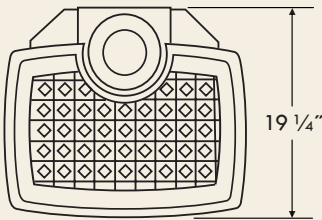
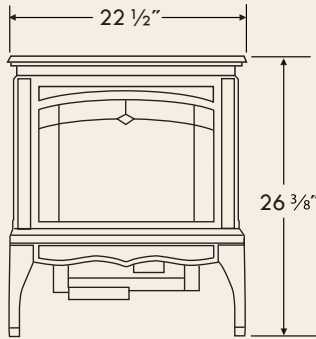
Painted matte black



Brown majolica enamel

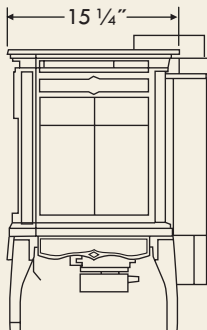


Basil majolica enamel



### Clearances:

- Rear 2"
- Side 16"
- Corner 11"



*Bristol featured with basil majolica enamel.*

GAS STOVES

FOR ADDITIONAL SPECIFICATIONS AND OPTIONS TURN TO PAGES 17 & 19

# CHAMPLAIN

DIRECT-VENT GAS STOVE

GREAT STYLE MEETS EXCELLENT LARGE AREA OUTPUT

Burn Rate Range: 18,000 - 35,000 BTUs/hr. | EnerGuide Rating: 63.1%

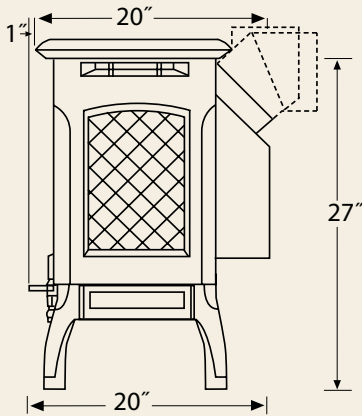
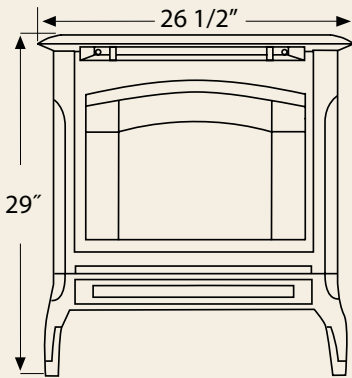
Steady State Efficiency: up to 83% | Heats up to: 1,800 sq. ft. | Model: #8301

## CASTING FINISH:

Painted matte black



Brown majolica enamel



*Champlain featured in brown majolica enamel.*

FOR ADDITIONAL SPECIFICATIONS AND  
OPTIONS TURN TO PAGES 17 & 19

# STOWE DX

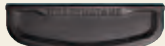
## DIRECT-VENT GAS STOVE

EFFICIENT BEAUTY AT ITS BEST – SCALED FOR MEDIUM SPACES

Burn Rate Range: -NG:18,000 - 25,000 BTUs/hr., LP: 21,600 - 25,000 | EnerGuide Rating: 61%  
Steady State Efficiency: up to 83% | Heats up to: 1,200 sq. ft. | Model: #8322 DX

### CASTING FINISH:

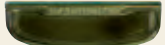
Painted matte black



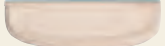
Brown majolica enamel



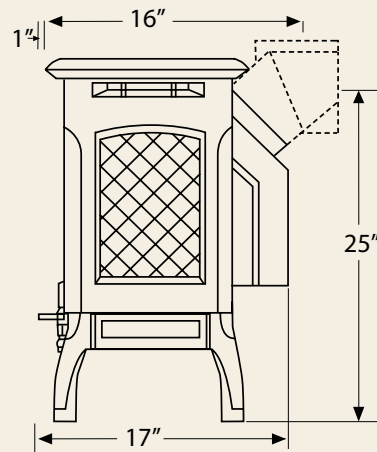
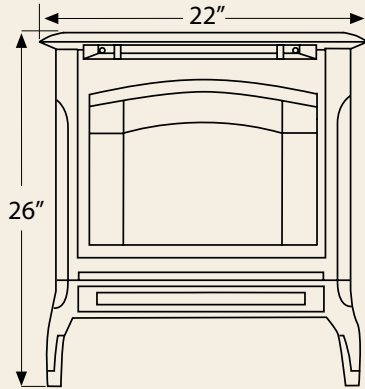
Basil majolica enamel



Bisque enamel \*



\* Bisque enamel coming soon



*Matching vent pipe paint available for all gas stoves in all colors.*

*Stowe featured with bisque enamel finish, painted vent pipe and exterior snorkel.*



FOR ADDITIONAL SPECIFICATIONS AND  
OPTIONS TURN TO PAGES 17 & 19

# TUDOR

## DIRECT-VENT GAS STOVE

THE IDEAL DESIGNER ACCESSORY FOR SMALLER AREAS

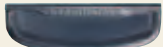
Burn Rate Range: 7,000 - 12,000 BTUs/hr. | Model: #8120

EnerGuide Rating: 61.4% | Steady State Efficiency: up to 82% | Heats up to: 600 sq. ft.

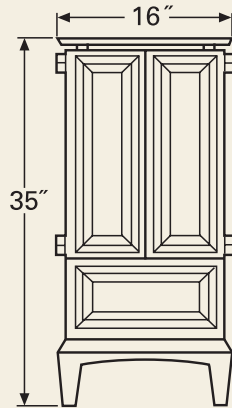


### CASTING FINISH:

Blue/black satin enamel



Brown majolica enamel



### STONE FINISH:

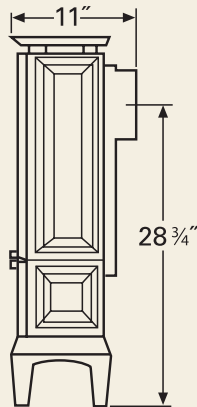
Polished soapstone



Autumn brown granite



When you buy the Tudor, you can personalize completely with most 6" by 6" tiles.



*Tudor featured in cast-iron brown majolica enamel finish with autumn brown granite Heirloom panels and optional Keepsake door grilles.*



*Tudor featured with painted blue/black satin enamel and polished gray soapstone Heirloom panel set.*

FOR  
ADDITIONAL  
SPECIFICATIONS  
AND OPTIONS  
TURN TO  
PAGES 17 & 19

*Tudor featured with blue/black satin enamel finish and cast-iron Curio panel set.*



# MAIDSTONE, WILLOUGHBY & KILLINGTON DIRECT-VENT GAS INSERTS

UPDATE A ROOM WITH EFFICIENCY, WARMTH AND CHARM

Burn Rate Range: 13,000 - 33,000 BTUs/hr. | EnerGuide Rating: 67.71%

Steady State Efficiency: up to 83% | Heats up to: 1,500 sq. ft. | Model: #8890

## CASTING FINISH:

Painted matte black



Blue/black satin enamel



Brown majolica enamel

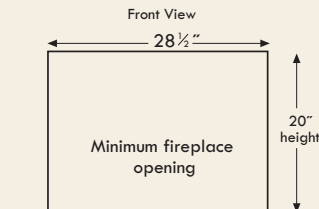
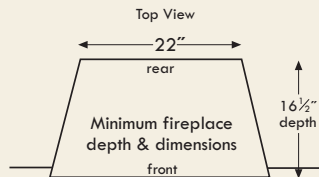
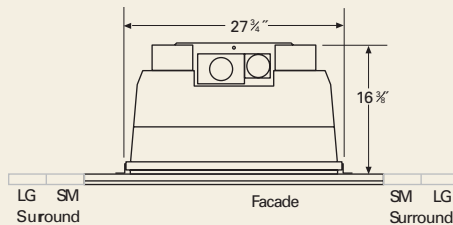
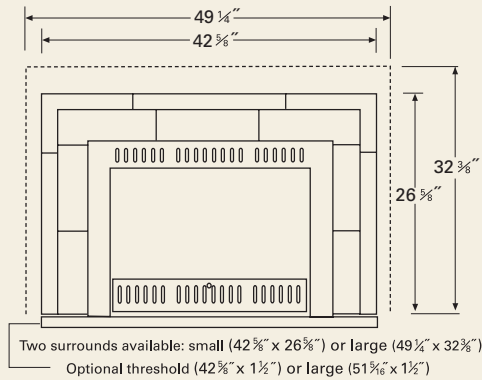


## STONE FINISH:

Polished soapstone



Autumn brown granite



FOR ADDITIONAL SPECIFICATIONS AND  
OPTIONS TURN TO PAGES 17 & 19



*Maidstone facade featured with small surround and autumn brown granite inserts.*



*Maidstone facade with small surround and cast iron inserts*



*Willoughby facade with small surround and cast iron inserts*



*Killington facade featured with blue/black satin enamel finish.*

# Wood Stove Features & Benefits

# Wood Inserts

## BENNINGTON



**2.5-cubic-foot firebox –**

Accepts 21" logs through double front doors, 23" logs through side-loading door. Front and side doors provide maximum loading ease and increased fuel efficiency.

**All-cast double-wall construction –**

Creates efficient convection heat; greatly reduces clearances with built-in rear heat shield.

**13-lb. cast iron heat exchanger –**

Unique in the industry; dramatically increases heat transfer and efficiency and enhances the quality of heat stored.

**Integral rear heat shield –**

Built-in rear heat shield allows stove to be placed closer to the wall; ready to accept optional fan.

**Side door –**

Allows easy fuel loading. Or use optional lock kit to reduce side hearth clearance from 14" to 4".

**Outside air adapter (optional) –** Improved efficiency in today's newer, "airtight" homes; reduces cold air drafts along the floor.

**Reversible flue collar –** Flexible installation; stove can be installed as a freestanding unit or as a hearth stove.

**Fan with built-in thermostat and rheostat (optional) –** Fan increases convective heat output with rheostat control. Use of heat shield is required.

**Open-and-close ash grate and removable ash drawer –** Easy, clean ash removal; pan can be removed while fire is still burning.

N/A

N/A

## SHELburnE



**2.0-cubic-foot firebox –**

Spacious firebox accepts up to 20" logs.

**Single Door –** Allows easy loading and large viewing area.

**Rear heat shield (optional) –** Allows more placement options; stove can be installed closer to a wall because clearance requirements are reduced; creates a convection passageway between shield and back of stove to allow optional fan to circulate air through house.

N/A

N/A

## CRAFTSBURY



**1.5-cubic-foot firebox –**

The Craftsbury's easy-load, front-loading door allows logs up to 17" in length.

**Screen (optional) –** Allows for open-door fire viewing.

**Soapstone-lined firebox –** Extends HeatLife™.

## CLYDESDALE



**2.4-cubic-foot firebox –** Large front door allows large viewing area and logs up to 22" in length to load easily.

**Solid cast-iron door system**

**Cast-iron roller-latch –** Smooth operation and an airtight door.

**Full-heat shroud around cast-iron firebox –** Increases convective heat output.

**Surround extension (optional) –** 36" H x 59" W (black anodized aluminum).

**Front/aft 2-position flue collar & depth-adjusting surrounds –** Installation flexibility; unit will fit in more fireplaces.

**Leveling legs –** Adjustable after installation.

**Fan with thermostat and variable-speed control –** Factory-installed.

**Surround base caps –** Optional cast-iron base caps add beauty to the installation and can be used as a filler for raised insert installations.

**Mantle shield (optional) –** Reduces mantle clearances.

**Reversible front-loading door –** Front door easily converts to open from either the left or right side to meet your specific installation needs.

**Removable baffle –** Allows flue cleaning without removing the insert. Eases installation by connecting the flue liner within the firebox.

## MORGAN



**1.7-cubic-foot firebox –** Holds up to 34 lbs. of wood and logs up to 18" in length.

**Steel door system**

**Steel door latch**

**Surround extension (optional) –**

35" H x 54 1/4" W (black anodized aluminum).

**Single air-intake lever/stove control –** Responsive control; insert operation is easy, performance more consistent.

**Non-catalytic combustion system –** EPA-certified, clean-burning, complete combustion provides more heat from less wood, greater efficiency, and reduced smoke and creosote buildup.

**Unmatched fire viewing –** The large glass front door allows an unobstructed view of the full firebox. Primary and secondary air combine for dazzling fire viewing on high or low settings.

*Note: Always refer to the HearthStone Owner's Manual and the local authority having jurisdiction in your area for the specific installation requirements for your stove.*

# Gas Stove Features & Benefits

# Gas Inserts

# Pellet

## BRISTOL DX

## STOWE DX

## CHAMPLAIN

## TUDOR

## MAIDSTONE/WILLOUGHBY/KILLINGTON

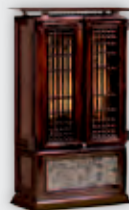
## MANCHESTER



ProFlame



ProFlame



**Top Flue Exit –**  
Vent pipe exits the top of the stove for easy vertical venting or horizontal venting options.

**Window screen (optional) –**  
Enhances flame aesthetics. The firebox glass “disappears” from viewing, leaving only the dancing flames and glowing logs

**45° Flue Exit –**  
Minimum rise of 9” allows for installation flexibility

**HeatWave™ Refractory–**  
Improved radiant heat output

**Window screen –**  
Enhances flame aesthetics. The firebox glass “disappears” from viewing, leaving only the dancing flames and glowing logs

**Six piece fiber log set–**  
Real fire appearance with glowing logs and embers.

**Large viewing area–**  
Perfectly balanced Cast iron door frames the fire.

**Top Flue Exit–**  
Vent pipe exits the top of the stove for easy vertical or horizontal venting options

**Select from–** Cast iron, stone, or grille panel inserts to match your decor

**Removable legs –**Legs may be removed for flush appearance as shown above.

**Choose your own custom tiles (optional) –**  
Requires 16 – 6” x 6” tiles and a special installation kit, Part # 91-68200.

**Through-the-wall venting option –**  
Vent pipe can be installed through an exterior wall for an unobtrusive look. An inconspicuous terminus on the outside wall completes the installation. No cuts are necessary through your ceiling or roof.

**Large or small surrounds –**  
Available in two surround sizes to fit your fireplace.

**“One touch” piezo ignition –**  
Battery-operated ignition system for easy lighting.

**Window screen (optional) –**  
Enhances flame aesthetics. The firebox glass “disappears” from viewing, leaving only the dancing flames and glowing logs.

**Universal threshold (optional) –**  
Raises the insert 1 ½” as a decorative option or to help fill fireplace opening. Small (42 5/8” x 1 ½”), large (51 5/16” x 1 ½”).

**Fine-lined European cast iron**

**Large viewing area**  
Accentuates impressive flame presentation. 185 sq. inches!

**Low emission**  
EPA certified at 1.3 gph

**Up to 60 lb. hopper capacity**

**Advanced controls, user selects preferred operating mode:**

- + Manual on/off
- + Thermostatic on/off
- + Auto modulating thermostatic\*
- + Auto programmable\*

\*Requires use of included wired room sensor.

**Auto start and clean cycle**

**Low temp monitoring system**

**4” vent recommended**

**ProFlame Ignition System –** Maximize fuel savings by burning a pilot only when the stove is operating or switch to continuous pilot in colder climates.

**Remote Control Included –** Convenience at your fingertips with included remote. Maximize your comfort by selecting preferred operating mode (manual, thermostat,

smart thermostat) and adjusting flame height, blower speed, and auxiliary 110v outlet on the remote. Child lock-out feature standard.

**Blower Included –** Controlled by the hand-held remote control.

**Field Convertible –** Stoves ship natural gas ready. LP gas conversion kit must be ordered separately.

**Direct Vent Technology –** Air for combustion is drawn from outside the home, reducing cold air drafts; greater efficiency due to not using heated room air for combustion.

**Millivolt ignition system –** Stove can operate without electricity; excellent source of heat during power outages.

**Wall thermostat –** Thermostat turns unit on and off, and maintains the home at preset comfort level. Desired heat is maintained automatically. Optional programmable thermostat is also available.

**Three-way on/off/thermostat switch –** Allows you to flip the stove on for instantaneous fire, or to control the stove from the wall thermostat, or to turn it off.

**Adjustable heat output –** All the pleasure of fire-viewing ambiance, even when little room heat is required.

**Certified room heater with double heat-exchange system –** Increased stove efficiency; less heat lost up the chimney means more usable heat for less money.

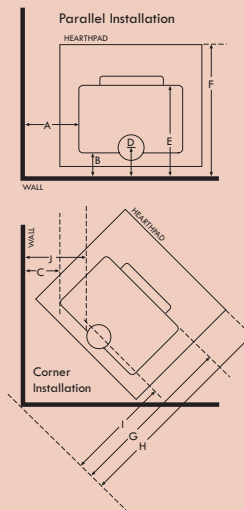
**Sealed firebox/Direct-Vent technology –** Air for combustion is drawn from outside the home, reducing cold air drafts; greater efficiency due to not using heated room air for combustion.

**Remote controls (optional) –** Simple “on/off” and thermostatic remote controls allow the fire to be controlled from across the room. Temperature is controlled by the thermostat located within the remote itself.

**Variable speed fan with thermostat (optional) –** Thermostat monitors stove body temperatures and automatically controls fan.

# HearthStone Cast Iron Wood Stoves and Inserts

		BENNINGTON		SHELburnE		CRAFTSBURY		CLYDESDALE		MORGAN	
<b>Specifications:</b>											
Firebox capacity <b>(1)</b>		2.5 cubic feet		2.0 cubic feet		1.5 cubic feet		2.4 cubic feet		1.7 cubic feet	
Maximum log length		23"		20"		17"		22"		18"	
Flue exit & diameter		top or rear exit 6" flue collar		45 degree exit 6" flue collar		top or rear exit 6" flue collar		top exit 6" flue collar		top exit 6" flue collar	
Ash pan		yes		yes		yes		no		no	
Optional blower kit		yes		yes		yes		standard		standard	
Mobile-home certified		yes		yes		yes		no		no	
Alcove certified <b>(2)</b>		yes		yes		yes		no		no	
Actual weight (lbs)		470		400		313		550		349	
Shipping weight (lbs)		515		425		338		585		416	
<b>Performance:</b>											
Emissions		3.6 grams/hr.		2.1 grams/hr.		3.1 grams/hr.		3.1 grams/hr.		4.3 grams/hr.	
Heat output <b>(3)</b>		70,000 BTUs		50,000 BTUs		40,000 BTUs		60,000 BTUs		40,000 BTUs	
Efficiency <b>(4)</b>		76%		80%		81%		79%		79%	
Heating capacity <b>(5)</b>		up to 2,200 sq. ft.		up to 1,800 sq. ft.		up to 1,300 sq. ft.		up to 2,000 sq. ft.		up to 1,200 sq. ft.	
Burn time		up to 10 hours		up to 8 hours		up to 6 hours		up to 10 hours		up to 8 hours	
HeatLife™ <b>(6)</b>		up to 12 hours		up to 10 hours		up to 7 hours		up to 12 hours		up to 10 hours	
<b>Clearances: (7)</b> <span style="float: right;">Key</span>											
		Single-wall pipe, no heat shield	Double-wall pipe with rear heat shield	Single-wall pipe, no heat shield	Double-wall pipe with rear heat shield	Single-wall pipe, no heat shield	Double-wall pipe with rear heat shield	Single-wall pipe, no heat shield	Double-wall pipe with rear heat shield	Single-wall pipe, no heat shield	Double-wall pipe with rear heat shield
Side of stove to side wall	A	12"L 18"R	12"L 18"R	18"	21"	14"	14"	12"	N/A	13"	N/A
Back of stove to back wall	B	18" <b>(8)</b>	16" <b>(8)</b>	24"	12"	21"	9"	N/A	N/A	N/A	N/A
Corner of stove to side wall	C	13"	12"	13"	6"	17"	10"	N/A	N/A	N/A	N/A
Center of pipe to back wall	D	19-1/2"	17-1/2"	25-1/2"	13-1/2"	21"	9"	N/A	N/A	N/A	N/A
Front of stove to back wall	E	36-1/2"	34-1/2"	42-1/2"	30-1/2"	39"	27"	N/A	N/A	N/A	N/A
Front of hearthpad to back wall (US)	F	53"	50-1/2"	59"	47"	55"	43"	N/A	N/A	N/A	N/A
Front of hearthpad to back wall (CDN)		55"	53"	63"	49"	57"	45"	N/A	N/A	N/A	N/A
Corner of wall to front of stove	G	52"	51"	50"	40"	49-1/2"	41"	N/A	N/A	N/A	N/A
Corner of wall to front of hearthpad (US)	H	68"	67"	66"	56"	65-1/2"	57"	N/A	N/A	N/A	N/A
Corner of wall to front of hearthpad (CDN)		70-1/2"	69"	68-1/2"	58-1/2"	67-1/2"	59"	N/A	N/A	N/A	N/A
Center of pipe to corner of wall	I*	33"	32"	30"	20"	32-1/2"	24"	N/A	N/A	N/A	N/A
Edge of pipe to side wall	J*	20-1/2"	19-1/2"	17"	10"	19-1/2"	12"	N/A	N/A	N/A	N/A
Minimum hearthpad size - US inches <b>(9)</b>		48" W x 39" D		36" W x 45" D		38-1/2" W x 41" D		Please refer to installation manual.			
Minimum hearthpad size - Canada inches <b>(9)</b>		50" W x 41" D		36" W x 47" D		38-1/2" W x 43" D		Please refer to installation manual.			
Minimum hearthpad size - Canada cm <b>(9)</b>		127 cm x 104 cm		91 cm x 119 cm		98 cm x 109 cm		Please refer to installation manual.			
R-value		0.9		0.8		noncombustible flooring		1.1		1.0	



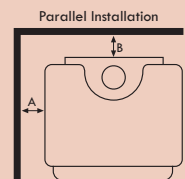
- (1)** The amount and weight of wood contained per cubic foot of firebox volume can vary from 15 to 36 lbs. per cubic foot depending on type of wood, moisture content, packing density, and other factors. As a constant for comparison and test purposes, we are assuming 20 lbs. of seasoned hardwood per cubic foot of firebox volume.
- (2)** See Owner's Manual for specific alcove clearances and alcove hearthpad requirements.
- (3)** Heat output will vary depending on frequency of loading, the dryness and quality of wood used, packing density, and other installation variables.
- (4)** Efficiency measured at lower heating value (LHV).
- (5)** Heating capacity is an approximation dependent upon type of wood, loading configuration, floor plan, house construction, venting configuration, heat loss, geographic location of home, and other usage and regional variables.
- (6)** Heat Life™ is a trademark of HearthStone Quality Home Heating Products and is defined as the quantity of heat stored within the thermal mass of the stove. Used here, it refers not just to burn time but to total hours of usable heat from a single load of fuel.
- (7)** Clearances on this page are for reference only. Refer to the Owner's Manual for exact specifications prior to installation.
- (8)** The Bennington rear heat shield is built in; no additional rear heat shield is required.
- (9)** See Owner's Manual for specific hearth material and R-value requirements.

\*With 45-degree elbow if required

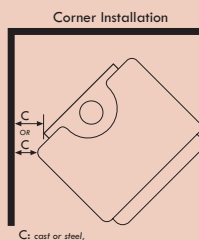
Note: Always refer to the HearthStone Owner's Manual and the local authority having jurisdiction in your area for the specific installation requirements for your stove.

# HearthStone Cast Iron Gas Stoves and Inserts

	BRISTOL DX	CHAMPLAIN	STOWE DX	TUDOR	MAIDSTONE / WILLOUGHBY / KILLINGTON
<b>Specifications:</b>					
Width	22-1/2"	26-1/2"	22"	16"	27-3/4"
Height	26-3/8"	29"	26"	35"	19-3/4"
Depth	19-1/4"	20"	17"	11"	16"
Flue diameter	4 x 6-5/8"	4 x 6-5/8"	4 x 6-5/8"	4 x 6-5/8"	two 3" co-linear
Flue exit	top exit	45 degree exit	45 degree exit	rear exit	top exit
Available for NG or LP	yes	yes	yes	yes	yes
Optional blower kit	included	yes	included	no	included
Wall thermostat and thermostat wire	N/A	included	N/A	included	included
Built-in three-way "on-off-thermostat remote" switch	N/A	included	included	included	included
Programmable thermostat compatible	yes	yes	yes	yes	yes
Remote control compatible	included	yes	included	yes	yes
Mobile home certified	yes	yes	yes	yes	yes
Actual weight (lbs)	180	220	155	130	185
Shipping weight (lbs)	205	260	200	155	215 <b>(1)</b>
<b>Performance:</b>					
EnerGuide rating <b>(2)</b>	80% (NG, LP)	63.1%	61% (NG)	61.4%	67.71%
"Variable flame height" BTU range <b>(3)</b>	16,000 to 36,000	18,000 to 35,000	NG: 18,000 to 26,000 LP: 21,600 to 25,000	7,000 to 12,000	13,000 to 33,000
Steady state efficiency <b>(4)</b>	up to 78% (NG), up to 79% (LP)	up to 83%	up to 83%	up to 82%	up to 83%
AFUE <b>(4)</b>	73	72	68	70	74
Heating capacity <b>(5)</b>	up to 1,800 sq. ft.	up to 1,800 sq. ft.	up to 1,200 sq. ft.	up to 600 sq. ft.	up to 1,500 sq. ft.
<b>Clearances: (6)</b> <span style="float: right;">Key</span>					
Minimum clearance to combustibles					
Side	A	16"	4"	4"	8"
Rear	B	2"	2"	2"	0"
Corner	C	11"	2"	3"	1"

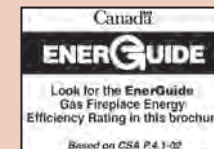


NOTE: All measurements are taken from the closest surface of the unit.



- (1)** Shipping weight includes facade and small surround.
- (2)** EnerGuide is a Government of Canada rating system that provides consumers with comparative information on the energy performance of energy-using products sold in Canada. For more information on the EnerGuide Program, please go to the EnerGuide web site at: [www.oee.nrcan.gc.ca/equipment/](http://www.oee.nrcan.gc.ca/equipment/)
- (3)** Ratings shown are with NG; LP ratings are similar.
- (4)** Steady state efficiencies vary dependent upon installation, venting configuration, altitude, gas values, and other installation variables.
- (5)** Heating capacity is an approximation dependent upon floor plan, house construction, venting configuration, heat loss, and geographic location of home.
- (6)** Clearances on this page are for reference only. Refer to Owner's Manual for exact specifications prior to installation.

Installation: Check with state and local codes, as well as gas suppliers, regarding installation of gas products. Install in accordance with manufacturer's instructions and local codes, if any; if not, follow: ANSI Z223.1 (NFPA54) U.S. or current CAN/CGAB149 (Canada).



HearthStone Quality Home Heating Products, Inc., warrants all its wood and gas stoves and inserts to the original purchaser for the lifetime of the appliance to be free from defects in material and workmanship, with certain limitations as defined in our Limited Lifetime Warranty policy. See your HearthStone dealer for complete details and a copy of our warranty policy. HeatLife is a trademark and HearthStone, HearthStone Phoenix, and HearthStone Sterling are registered trademarks of HearthStone Quality Home Heating Products, Inc.